

## PFA-lined dairy union with flange connection EN 1092-1 B1

Our PFA-lined dairy union according to DIN 11851 combines proven hygienic technology with outstanding chemical resistance. The flange connection EN 1092-1 Form B1 ensures a secure, standard-compliant connection to piping systems in plant construction – ideal for demanding processes in the chemical, pharmaceutical, food, and beverage industries.

The PFA lining reliably protects all wetted surfaces from corrosive and aggressive media while providing a smooth, non-stick surface that prevents deposits and simplifies cleaning. This makes the connection perfectly suited for corrosive, high-purity, or hygiene-critical applications.



### Main Features

- Corrosion protection through PFA lining – maximum resistance to acids, alkalis, and solvents
- Hygienic design according to DIN 11851 – easy to clean, CIP/SIP capable
- Flange connection EN 1092-1 B1 – simple integration into standardized piping or equipment connections
- Long-lasting tightness and mechanical stability – even under thermal and chemical stress
- Versatile applications – from process connections in the pharmaceutical industry to aggressive media in the chemical industry
- FDA-compliant – available in PFA and PFA-AS versions

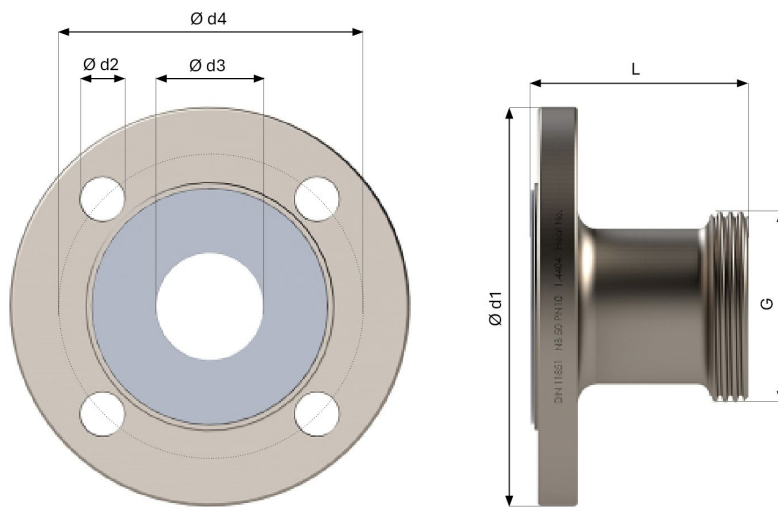
### Technical features

- Standard-compliant design: DIN 11851 / EN 1092-1 Form B1
- Materials: Stainless steel 1.4404 / SS316L with full PFA lining
- Nominal sizes: DN 15 – DN 50
- Pressure rating: PN 10
- Temperature range: up to +200 °C
- Sealing: PTFE, PTFE-AS

### Testing/Marking

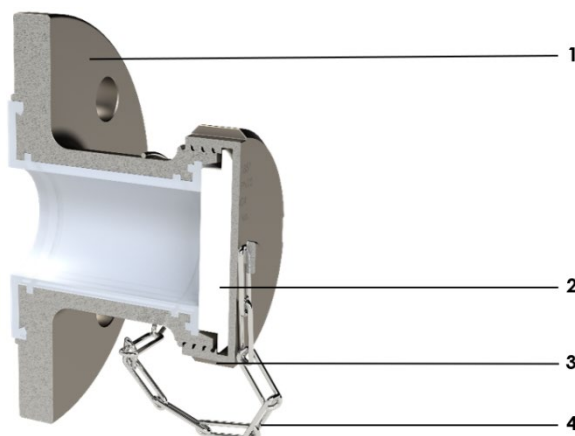
- Pressure and tightness testing according to EN 12266-1, leakage rate A, valve marking according to EN 19
- Material and/or test certificates according to EN 10204-3.1/2.2/2.1
- FDA-compliant (all versions)

Dimension in mm



| DN   | Ø d1 | Ø d2 | Ø d3 | Ø d4 | L  | G           |
|------|------|------|------|------|----|-------------|
| Size |      |      |      |      |    |             |
| 15   | 95   | 14   | 13.0 | 65   | 70 | Rd34 x 1/8" |
| 25   | 115  | 14   | 20.0 | 85   | 80 | Rd52 x 1/6" |
| 40   | 150  | 18   | 32.0 | 110  | 85 | Rd65 x 1/6" |
| 50   | 165  | 18   | 44.0 | 125  | 90 | Rd78 x 1/6" |

## Bill of materials/Standard version



| Pos. | Quantity | Description             | Material   |
|------|----------|-------------------------|------------|
| 1    | 1        | Threaded Coupling lined | 1.4404/PFA |
| 2    | 1        | Seal                    | PTFE       |
| 3    | 1        | Cover                   | 1.4404     |
| 4    | 1        | Chain                   | SS         |